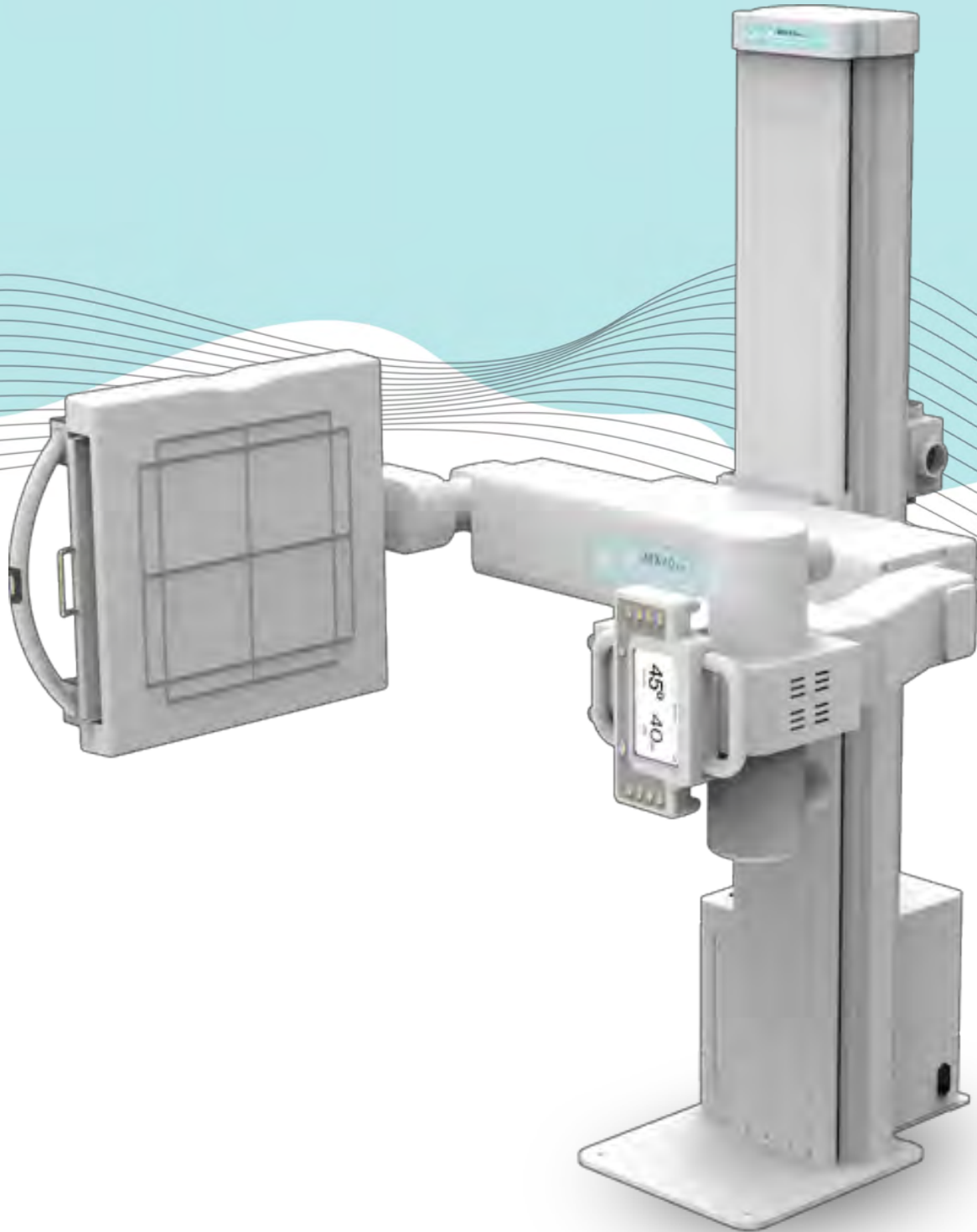




**MEDICATECH USA®**

# MasteRad™ **MX40sa**

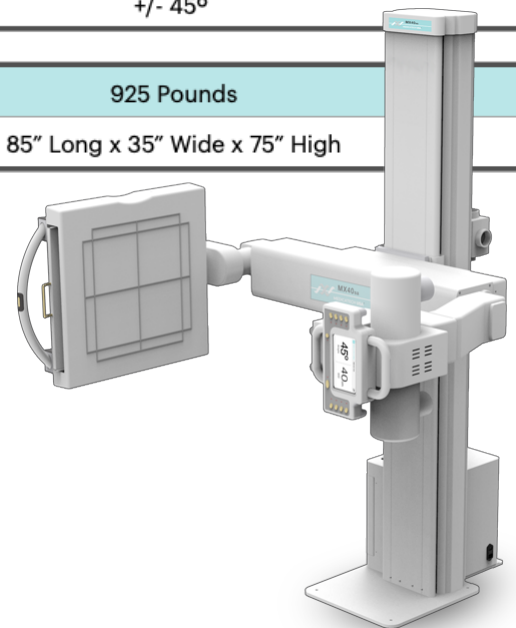
Your Straight-Arm Solution made Easy



Features and Specifications

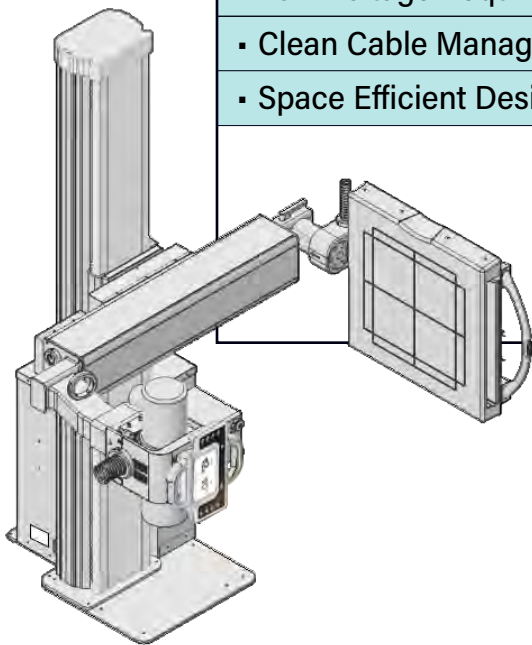
# General Specifications

		40 kW	50 kW
Generator	Input Power	1ø 230 VAC 3ø 380VAC	3ø 380VAC
	kV Range	40-150kV	40-150kV
	Output Frequency	450kHz	450kHz
	mAs Range	0.1 -1000mA	0.1 -1000mA
	Tube Current Range	10-500mA	10-630mA
	Exposure Time Range	1.0 -6300mA	1.0 -6300mA
	Anode Rotation Drive	Automatic	Automatic
	Console	Low / Dual Speed Starter	Low / Dual Speed Starter
Tube	Type	Toshiba E7239X	Toshiba E7252X
	Focal Spot	1.0 - 2.0	0.6 - 1.2
	Operating Voltage	40 - 125kV	40 - 150kV
	Anode Heat Capacity	140kHU	300kHU
	Target Angle	16'	12'
Collimator	Power Supply	1ø 24VAC 50/60Hz	1ø 24VAC 50/60Hz
	Related Tube Voltage	125 kvp	125 kvp
	Filters	1.2mm Al	1.2mm Al
	Intensity of Illumination	LED over 160 lux	LED over 160 lux
Tube Stand	Height	73 Inches	
	SID Movement	40-72 Inches	
	Vertical Movement	+/- 30"	
	Arm Rotation	+/- 135°	
	Tube Head Rotation	+/- 90°	
	Bucky Tilting	+/- 45°	
Crate (w/out Generator)	Weight	925 Pounds	
	Dimensions	85" Long x 35" Wide x 75" High	



# Features and Benefits

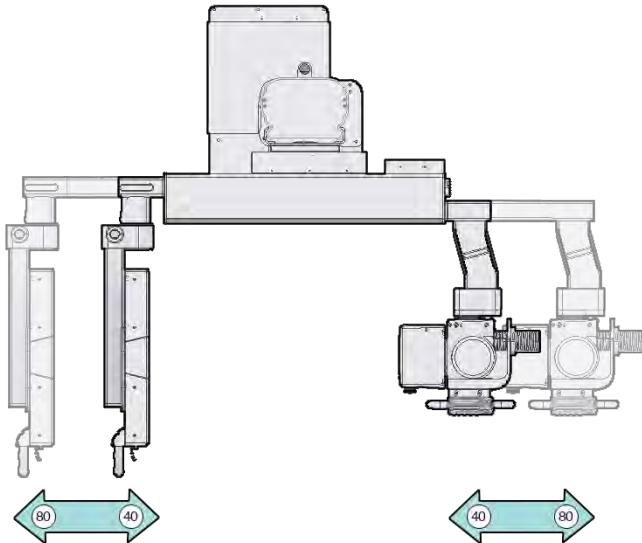
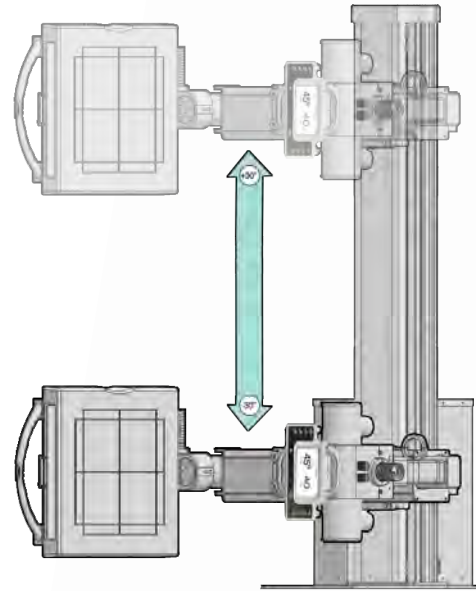
▪ Low Ceiling Requirement	Only 73" High
▪ Overall Compact Design	Fits where others can not
▪ Multiple Control Points	Full Digital Control Screen
	Tube Arm Push Button Control
	Bucky Control Panel
	Tethered Remote Control
	Quick-Release for Minor Rotation Adjusts
▪ Easy-Reach Emergency Stoppers	Tube Arm Control
	Bucky Arm Control
▪ Comprehensive Sensor Integration	Ceiling Sensor
	Floor Sensor
	Patient Presence Sensor
	Sudden Movement Sensor
	SID Automation
▪ Exceptional Performance Features	Super-Quiet Operation
	Programmable Movements and Speeds
	Easy-to-Clean Surfaces
	Low Maintenance Requirement
	Simple Serviceability Design
▪ Precision Control	Step Motor Movements
▪ Durable Surface Finish	Ensure Long-Lasting Use
▪ Low Voltage Requirement	Very Energy Efficient
▪ Clean Cable Management	Installed and Ready to Go
▪ Space Efficient Design	Stable Center-Mounted Column
	Low Maintenance Moving Parts
	Superior Insulation Reduces Noise
	Smooth Rotation
	Quiet Glide Movements





## Completely Programmable Movements

The MasteRad® MX 40 Straight-Arm offers a full range of programmable movements to facilitate all your radiography needs. These operations can be fully motorized, partially motorized or manual. The all new MX 40 system is super quiet, easy to operate and designed to make all your clinical operations faster and easier.



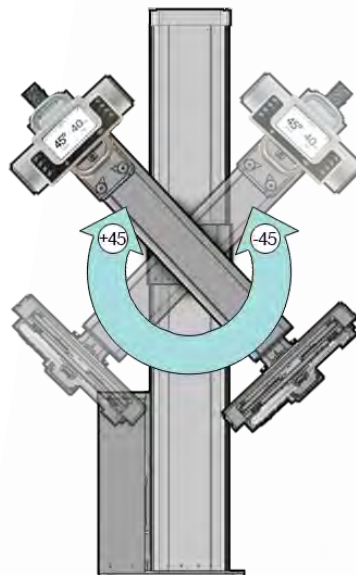
## You're in Control

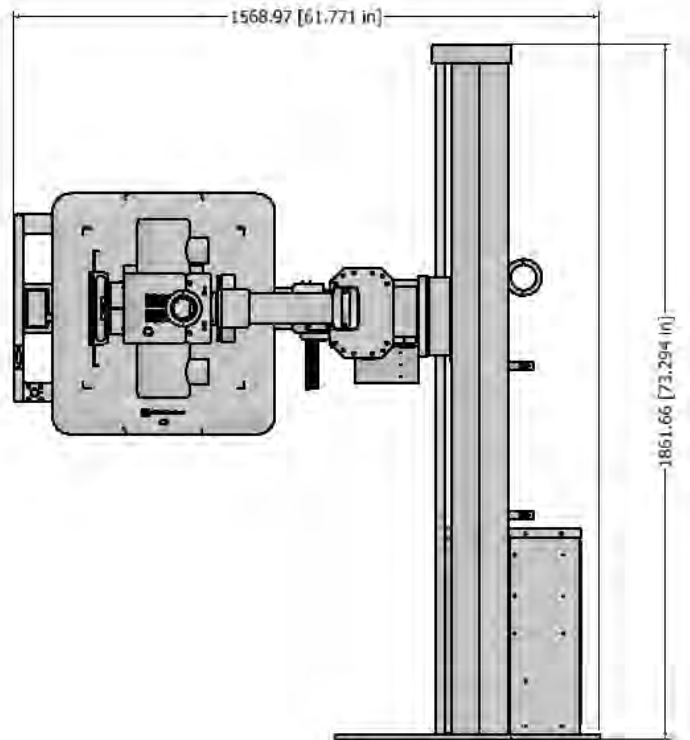
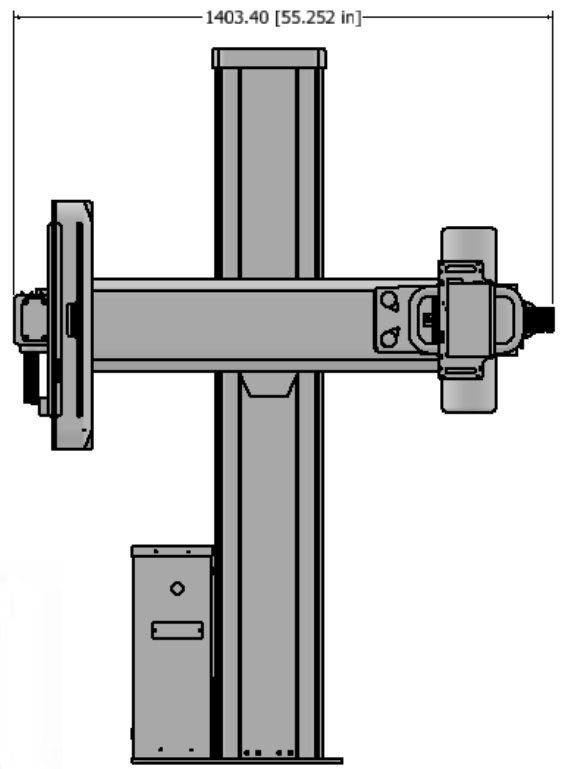
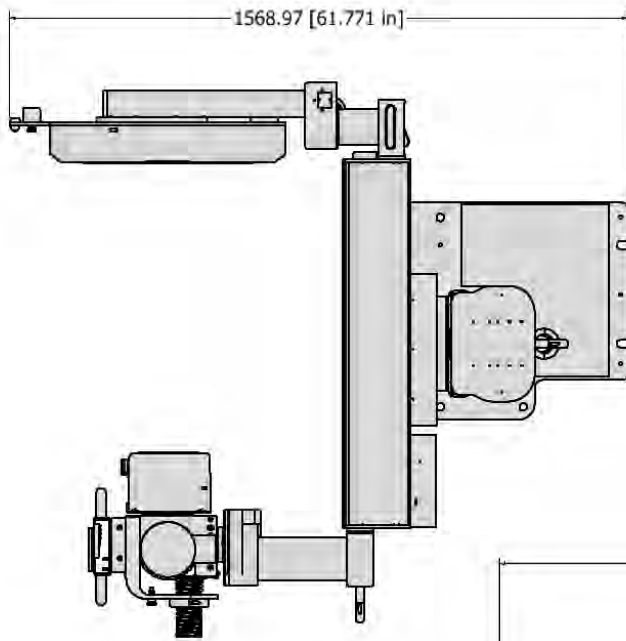
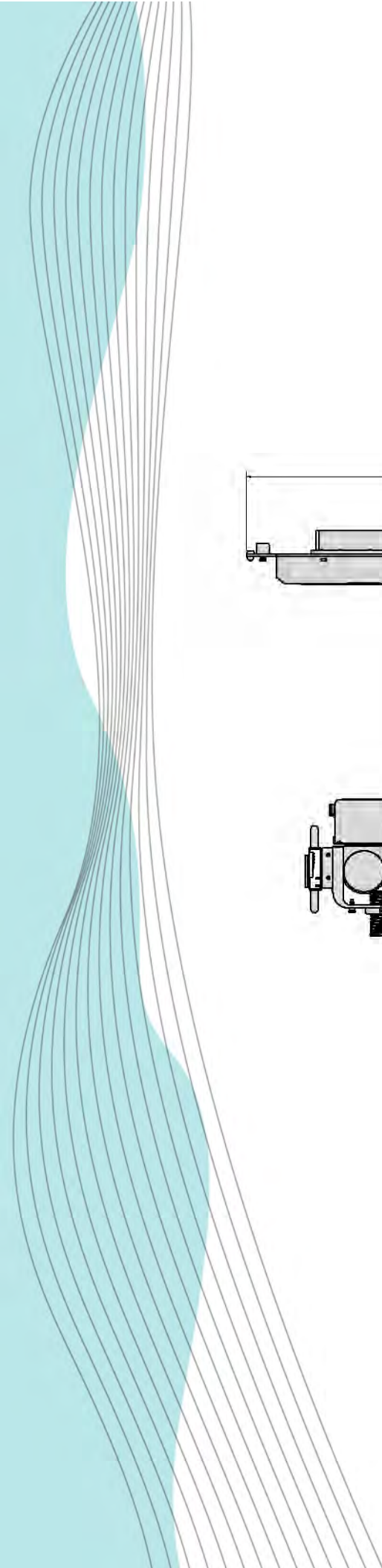
Single touch movements can be managed with full motorization mode or manually depending on the technician's needs. All movements are controlled through a multitude of options and glide into place with little disturbance to the patient.



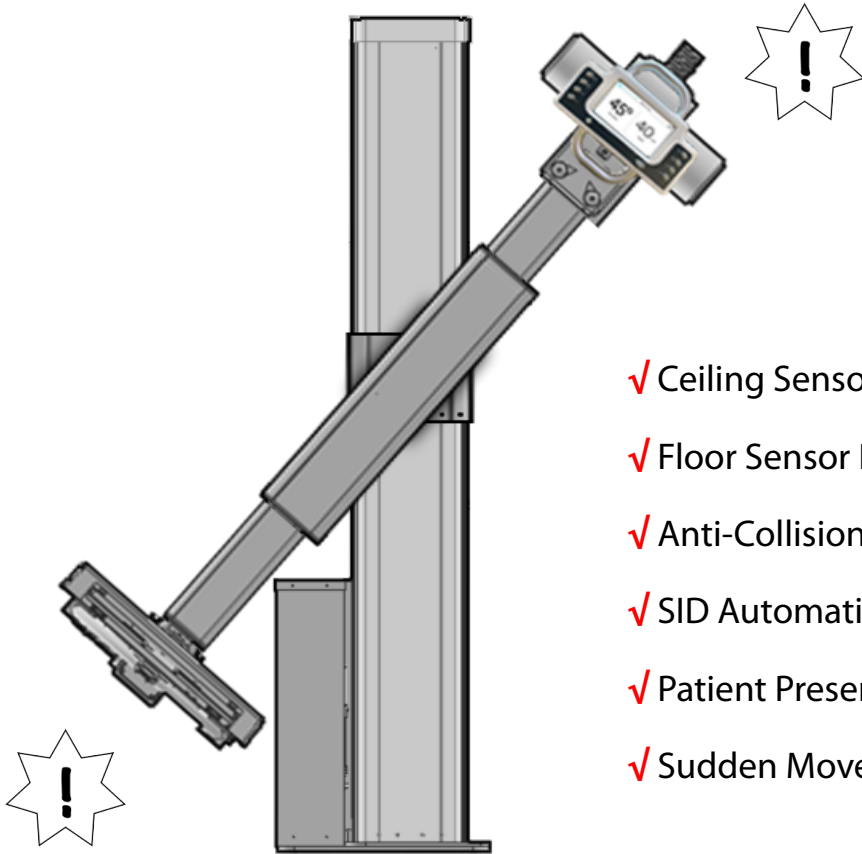
## Built to Last







Medicatech is a global company with over 20 years of experience in producing high-quality medical devices at affordable prices. Our US based operations have helped thousands of clinics throughout the world save lives everyday.

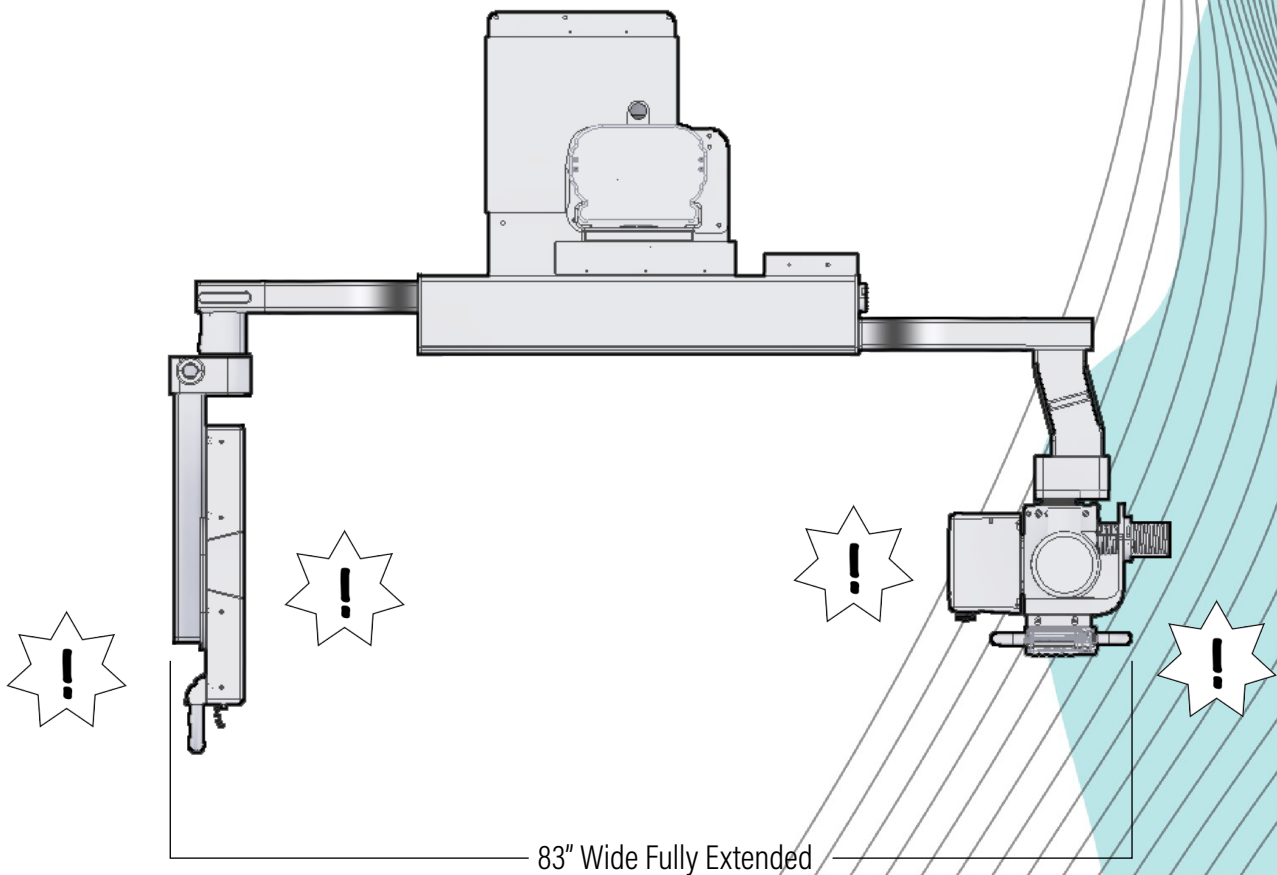




# Comprehensive Sensor Integration



- ✓ Ceiling Sensor Protection 
- ✓ Floor Sensor Protection 
- ✓ Anti-Collision Sensor 
- ✓ SID Automation Sensor 
- ✓ Patient Presence Sensor 
- ✓ Sudden Movement Sensor 



PROVIDING QUALITY PRODUCTS AND SUPPORT  
SINCE 2005



**MEDICATECH USA®**



**T. +1 800-817-5030**

**T. +1 949-679-2881**

**F. +1 949-679-2882**



**[www.medicattechusa.com](http://www.medicattechusa.com)**



**[info@medicattechusa.com](mailto:info@medicattechusa.com)**