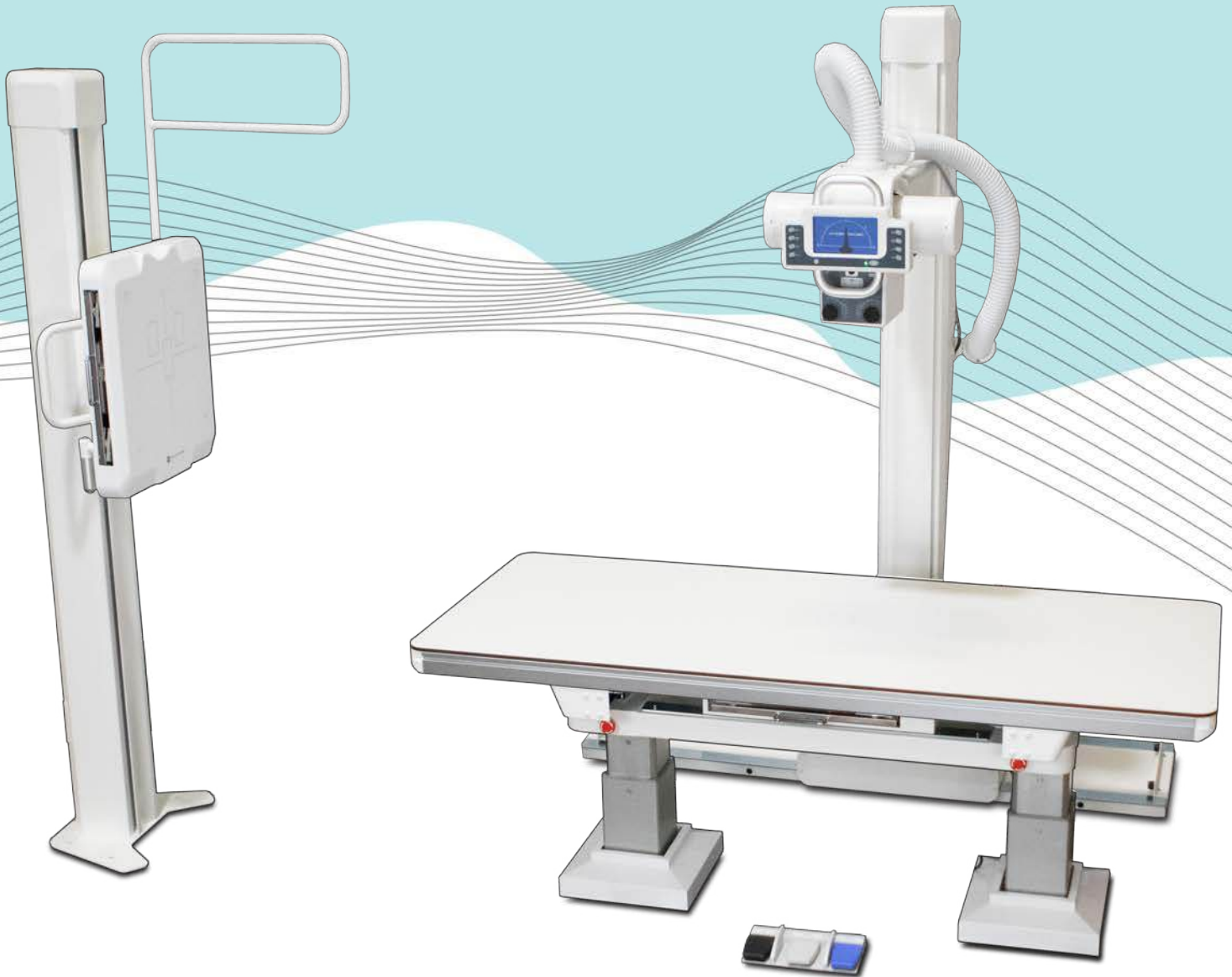




MEDICATECH USA®

MasteRad® **MX Series**

Loaded with Features and Benefits



High Quality X-Ray Solutions
For all Your Radiography Needs

MasteRad™ MX30

Features

Fully integrated with all the features necessary for a all-in-one radiography system. Since your budget is always on our mind, MedicatechUSA brings together a fully integrated system with smooth functions, user-friendly design and durable quality.



CONVENTIONAL
RADIOGRAPHY



FLOATING
TABLE



FLOOR MOUNTED
TUBE STAND



- ✓ Easy to Install and Operate
- ✓ Durable and Cleanable Surfaces
- ✓ Easy-Glide Movements
- ✓ One Touch Quick Release
- ✓ Great Cable Management
- ✓ Multiple Hand Grips for Movement
- ✓ Compact Design

Ideal choice for a complete range of radiographic procedures and eliminates the need for high-cost room modifications. Enhance your workflow with a compact and effective design.

System Configuration & Specification

Tube Stand	Height of the Tube Stand	93 Inches
	Vertical Travel	Max = 62 Inches - Min = 12 Inches
	Lowest Point	9 Inches from Floor to Tube Center
	Transverse Travel	(+/-) 13.5 Inches (MX30+ Only)
	Tube Rotation	(+/-) 135
	Rotation Detent	+/-45° and +/- 90°
	Column Rotation	Left or Right +/- 90°
	Control Screen for Tube Rotation SID Angle	Analog with Push Button Control and One Touch Release
	Vertical Travel Control	Electromagnetic Brakes - 24 VDC, 2 Amp

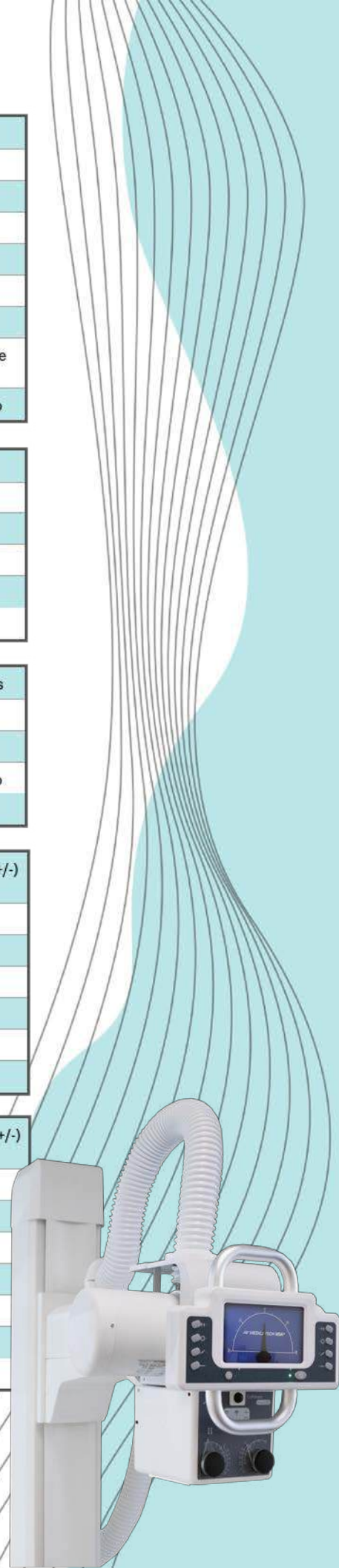
Chest Stand	Height of the Chest Stand	89 Inches
	Vertical Travel	Max: 73 Inches - Min: 12 Inches
	Bucky Tray Accommodates	14" x 17" / 17" x 17"
	Grid and Ion Chamber Ready	Easy Install
	Universal Bucky Tray	Left-Handed Default
	Patient Hand Rail	Can be Left or Right

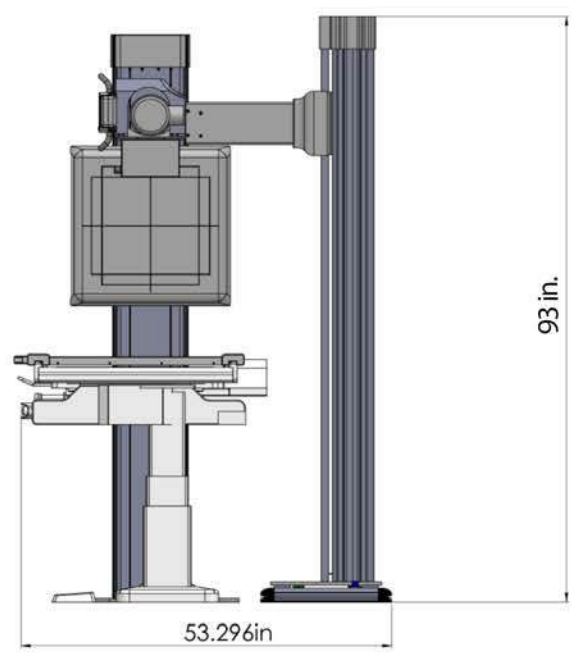
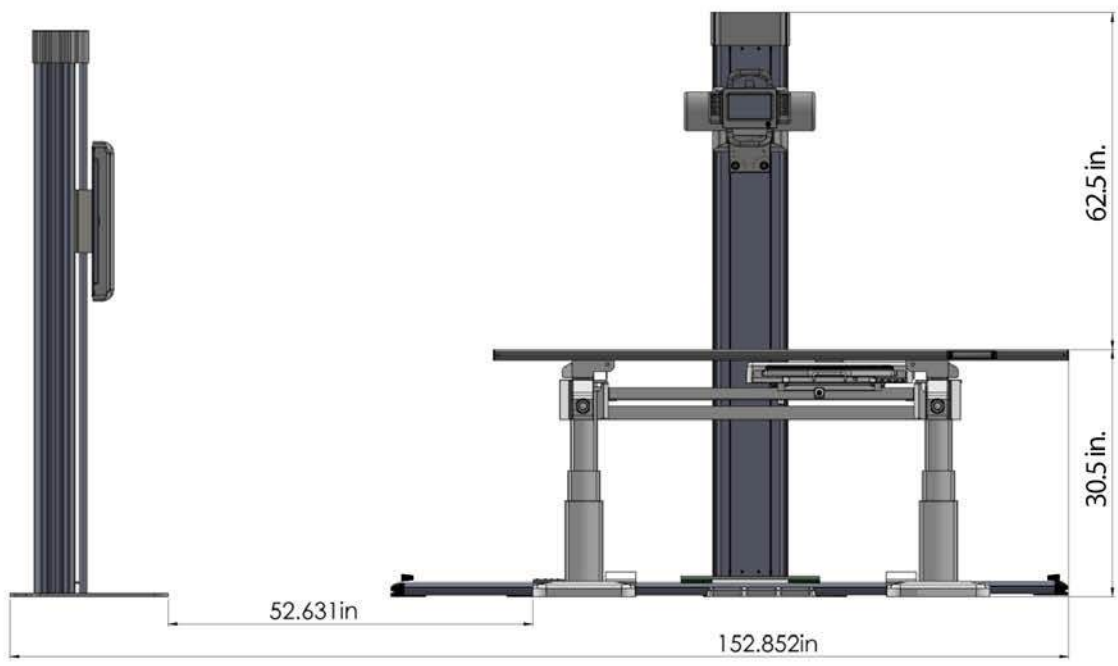
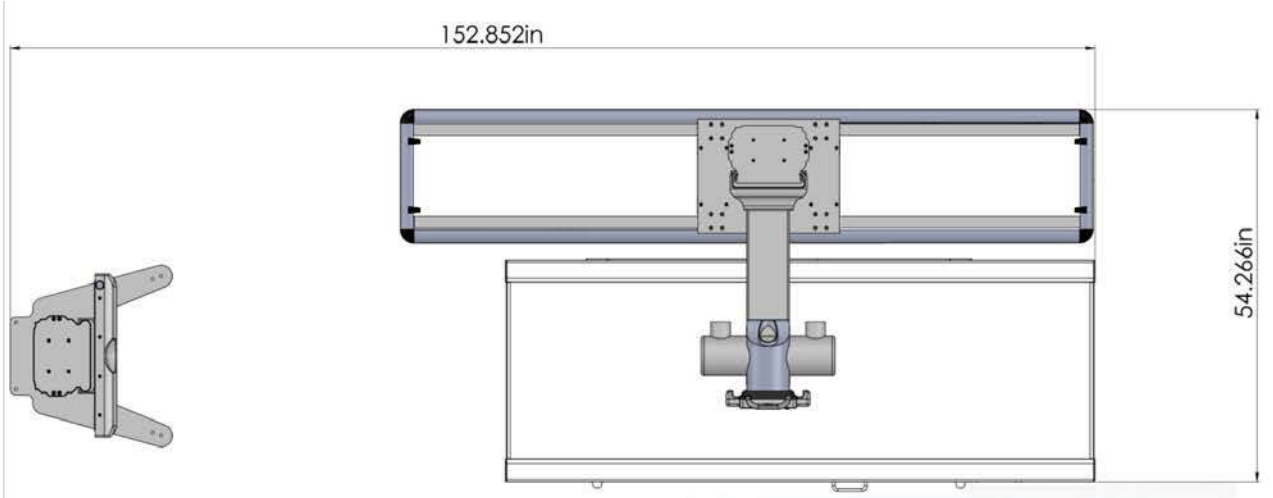
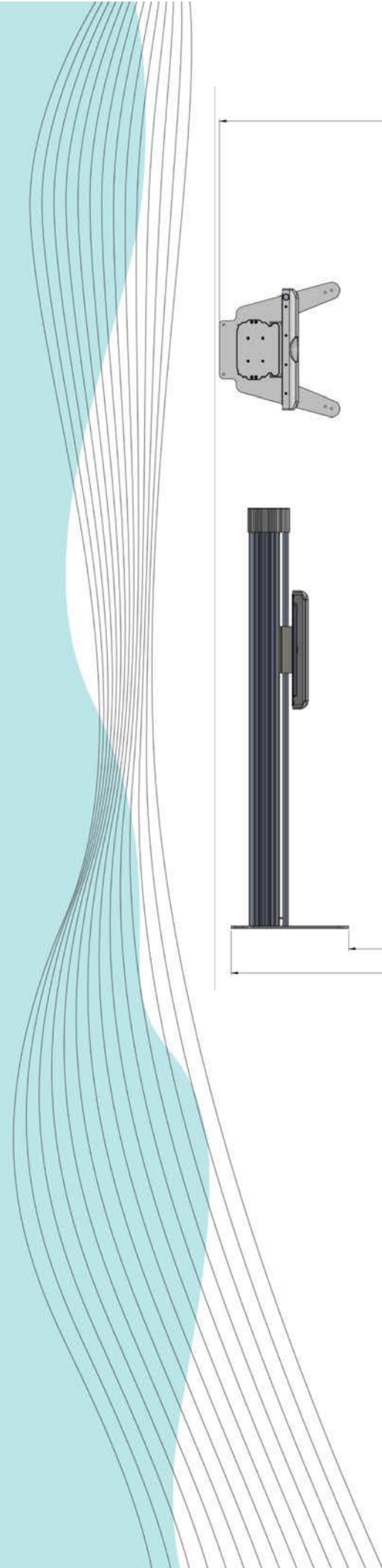
Floor Mount	Standard 8' Floor Mount	Longitudinal Travel Focal Spot: 76 Inches
	Optional 2' Extension	Increase Travel
	Pass-Through Cable Slots	For Better Cable Management
	Travel Control	Electromagnetic Brakes - 24 VDC, 2 Amp
	Custom Lengths	5', 7', 8', 9', 10', +

4-Way Table Non-Elevating	Tabletop Travel	Transverse: (+/-) 6.5 Inches Longitudinal (+/-) 14 Inches
	Tabletop Height	26 Inches
	Patient Load Rating	550 Pounds 4x Safety Factor
	Travel Bucky Travel	12 Inches
	Grid and Ion Chamber Ready	Easy Install
	Bucky Tray Accommodates	14" x 17" / 17" x 17"
	Powered by	20' Cord to Generator for Power

6-Way Elevating Table	Tabletop Travel	Transverse: (+/-) 6.5 Inches Longitudinal (+/-) 14 Inches
	Tabletop Height	Max: 30.5 Inches - Min: 20.5 Inches
	Patient Load Rating	550 Pounds 4x Safety Factor
	Travel Bucky Travel	12 Inches
	Grid and Ion Chamber Ready	Easy Install
	Bucky Tray Accommodates	14" x 17" / 17" x 17"
	Emergency Stoppers	Easy Access for Technician
	Powered by	20' Cord to Generator for Power

* All specifications can change without prior notice.





PROVIDING QUALITY PRODUCTS AND SUPPORT
SINCE 2005



MEDICATECH USA®



T. +1 800-817-5030

T. +1 949-679-2881

F. +1 949-679-2882



www.medicattechusa.com



info@medicatechusa.com