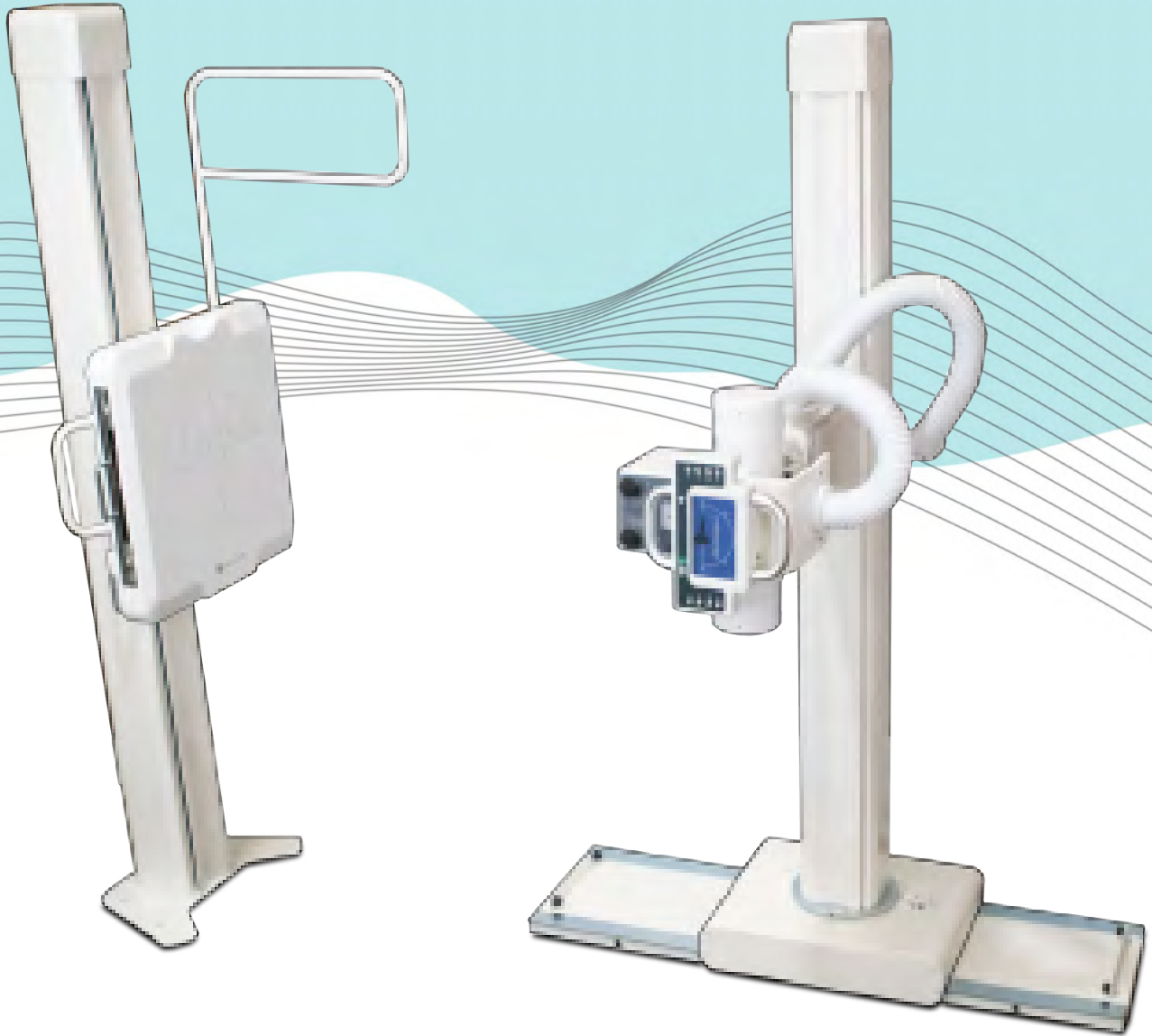




MEDICATECH USA®

MasteRad® **MX Series**

The Easy Chiropractic Solution.



High Quality X-Ray Solutions
For all Your Radiography Needs

MasteRad™ MX30

Features

Fully integrated with all the features necessary for a all-in-one radiography system. Since your budget is always on our mind, MedicatechUSA brings together a fully integrated system with smooth functions, user-friendly design and durable quality.



- ✓ Easy to Install and Operate
- ✓ Durable and Cleanable Surfaces
- ✓ Easy-Glide Movements
- ✓ One Touch Quick Release
- ✓ Great Cable Management
- ✓ Multiple Hand Grips for Movement
- ✓ Compact Design

Ideal choice for a complete range of radiographic procedures and eliminates the need for high-cost room modifications. Enhance your workflow with a compact and effective design.

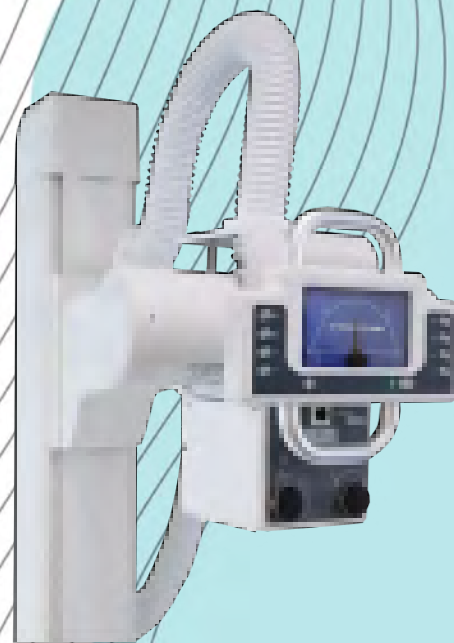
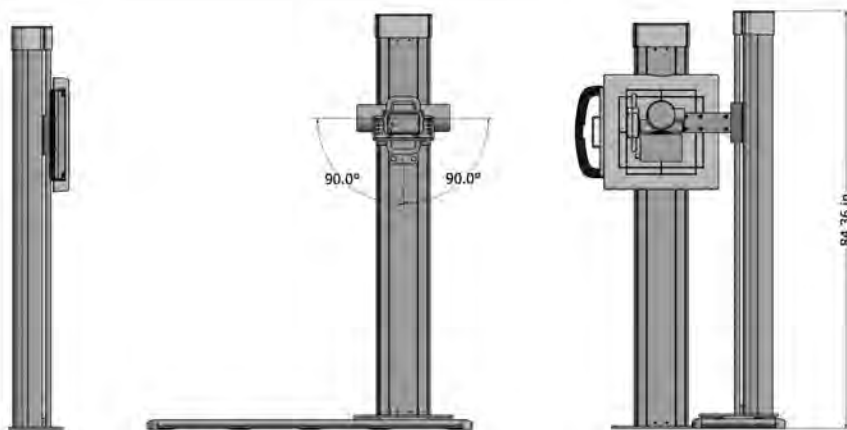
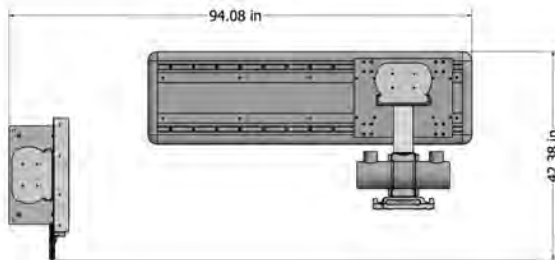
System Configuration & Specification

Tube Stand	Height of the Tube Stand	93 Inches
	Vertical Travel	Max = 62 Inches - Min = 12 Inches
	Lowest Point	9 Inches from Floor to Tube Center
	Transverse Travel	(+/-) 13.5 Inches (MX30+ Only)
	Tube Rotation	(+/-) 135
	Control Screen for Tube Rotation SID Angle	Analog with Push Button Control and One Touch Release
	Vertical Travel Control	Electromagnetic Brakes - 24 VDC, 2 Amp

Chest Stand	Height of the Chest Stand	89 Inches
	Vertical Travel	Max: 73 Inches - Min: 12 Inches
	Bucky Tray Accommodates	14" x 17" / 17" x 17"
	Grid and Ion Chamber Ready	Easy Install
	Universal Bucky Tray	Left-Handed Default
	Patient Hand Rail	Can be Left or Right

Floor Mount	Standard 5' Floor Mount	Longitudinal Travel Focal Spot: 32 Inches
	Optional 2' Extension	Increase Travel
	Pass-Through Cable Slots	For Better Cable Management
	Travel Control	Electromagnetic Brakes - 24 VDC, 2 Amp

* All specifications can change without prior notice.



PROVIDING QUALITY PRODUCTS AND SUPPORT
SINCE 2005



MEDICATECH USA®



T. +1 800-817-5030

T. +1 949-679-2881

F. +1 949-679-2882



www.medicattechusa.com



info@medicattechusa.com