



MEDICATECH USA®

STRAIGHT ARM | Jumong S

POWERED BY VOYANCE®

SPECIFICATION SHEET



Specifications

Movements

Dimensions	80.9"W x 90.5"H x 30.3" D
Motorized SID	39.4" to 70.8"
Vertical Movement	50.7" Motorized movement
Arm Rotation Angle	+120° to -30 °
Tube Rotation	+/- 90 °
Bucky Tilting	+/- 45 ° Manual
Positioning Controls	Tube head push button controls for SID distance, Height of Straight Arm and angulation of Arm which is also available on the Remote Control
Anti- Collision sensor on Arm and Detector	Stops movement and moves arm back 3.9" on resistance of 22 lbs or greater
Single button control on Remote for Chest or Table position views	

Remote Controller

Table bucky **position**

⚙️ **Under settings mode:**
This button is for "Save"

1M **position**

1.8M **position**

Straight Arm
vertical rotate

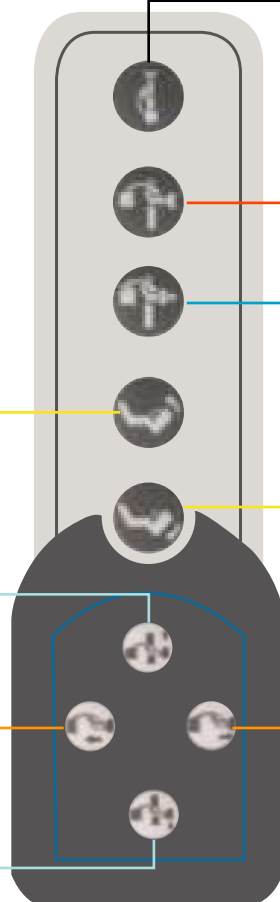
Straight Arm
horizontal rotate

Arm **up**

SID **reduce**

SID **increase**

Arm **down**



Specifications

Generator

	40 kW	50 kW
Input Power	1 ϕ 230VAC 3 ϕ 380VAC	3 ϕ 380VAC
KV Range	40-150kV	
Output Frequency	450kHz	
mAs Range	0.1-1000mA	
Tube Current Range	10-500mA	10-630mA
Exposure time Range	1.0-6300ms	
Tube Calibration	Automatic	
Anode Rotation Drive	Low/Dual Speed Starter	
Console	Mini Console	

Collimator

Power supply	1 ϕ 24 VAC 50/60 Hz
Related tube voltage	125 kV
Filters	1.2 mm Al
Intensity of illumination	LED over 160 lux

Grid

103L 10:1 150 cm

HVC

10 m

Specifications

X-ray Tube

Mechanical	
Dimensions	See dimensional outline
Overall Length	479 mm
Maximum Diameter	152.4 mm
Tube Housing Model Number	E7239FX - XH-121
Maximum X-ray Tube Voltage	
Radiographic	125 kV
Between Anode (or Cathode) and Ground	62.5 kV
Minimum X-ray Tube Voltage	40 kV
Large Focus	570 mA
Small Focus	340 mA
Maximum Filament Current	
Large Focus	5.1 A
Small Focus	5.1 A
Filament Voltage	
Large Focus (At maximum filament current 5.1 A)	7.7 ~ 10.4 V
Small Focus (At maximum filament current 5.1 A)	5.8 ~ 7.8 V
Filament Frequency Limits	0 ~ 25 kHz
Continuous Anode Input Power	60 W (85HU/s)
Thermal Characteristics	
Anode Heat Content	100 kJ (140 kHU)
Maximum Anode Heat Dissipation	475 W (667HU/s)
X-ray Tube Assembly Heat Content	900 kJ (1250kHU)

Upgrade Option

Type	Toshiba E7239X	Toshiba E7252X
Focal Spot	1.0-2.0	0.6-1.2
Operating Voltage	40-125kV	40-150 kV
Anode Heat Capacity	140KHU	300KHU
Target Angle	16"	12"

Specifications

Tube Stand

Height	2150mm
SID Movement (Motorized)	1110 mm - 1926mm
Vertical Movement (Motorized)	1700 mm
Arm Rotation	+120°/-30°
Tube Head Rotation	+90°
Bucky Tilting	+45°

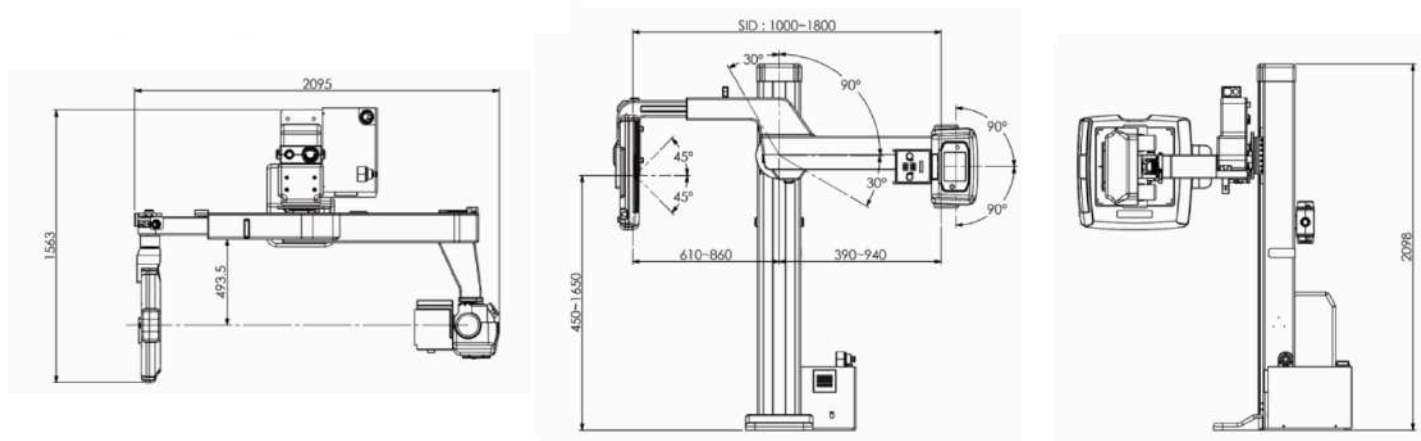
Mobile Table

Weight Capacity	220 kg
Table Size	728(W) x 1973mm(L) x 700mm(H)
Top Filtration	1.2 Al equivalent

Packaging information

Weight	420 kg	660 kg
Dimensions	2,310 x 770 x 1,470 mm	1,360 x 1,460 x 1,150 mm

Technical drawings



Voyance® Acquisition software

Voyance® Software and VPACS software, Del Computer +24" Display

User-friendly touch GUI

Automatic image optimization

Exam-specific algorithms image processing

Emergency Mode Accessible at All Times with Single Click.

Support Continuous Exposures.

Side by Side Image Comparison.

Move and Copy Images between Studies.

Edit existing patient information: Search patient by patient name, patient ID, Accession number.

Fully DICOM 3.0 Compatible: MWL, Send, Print, MPPS, etc.

DICOM Send, E-mail or Burn Images Over CD/DVD

Support Multi Format Image Export

True size for printing

Resend / Reprint image

Send/Print queue management

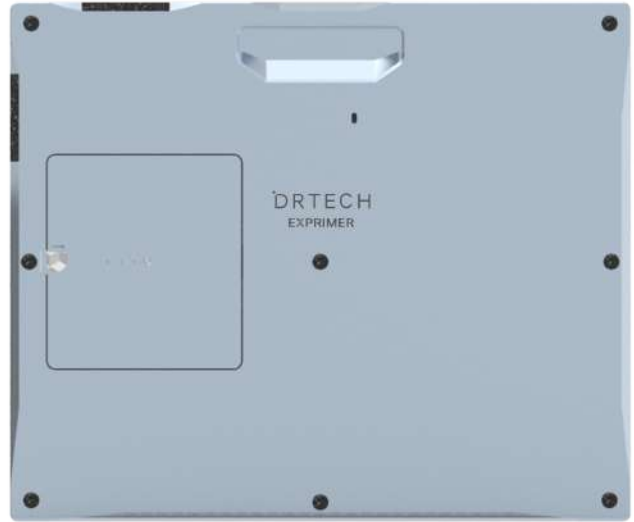
Useful functions: Auto Cropping, Auto Grid Suppression, Auto Labeling, Auto Rotation, Free Rotation, Multi Layout, etc.

Customized functions and various themes

Supporting Up to 4 Digital Detectors

Voyance® PACS Software with up to 10 viewers license included





14x17 Active area (Real Image Size)

Pixel Matrix 2,560 X 3,072

Overall Dimensions 385 (H) x 460 (V) x 15 (D) mm

Scintillator FOCUS CsI:TI / GOS

CsI Direct Deposition, Low Dose Imaging

140µm Pixel Pitch

Weight 6 lb

- **Product design and specification may change without prior notice.**
- **This is a medical device. It should be used only by qualified medical professionals following all safety and operation guidelines.**



MEDICATECH USA®



T. +1 800-817-5030

T. +1 949-679-2881

F. +1 949-679-2882



www.medicattechusa.com



info@medicattechusa.com

Proudly Made in the USA